

**1** FIXING PLATE

AISI CF-8 stainless steel, sand-blasted finish or epoxy resin coating, matte finish.

**2** HANDLE

AISI 304 stainless steel.

**3** RETAINING SPRINGS

AISI 301 stainless steel.

**4** STANDARD EXECUTIONS

- **GN 425.9-A:** plate with threaded blind holes.
  - **GN 425.9-B:** plate with pass-through holes for cylindrical-head screws with hexagon socket.
  - **GN 425.9-C:** fixing plate by means of welding.
- Index for fixing plate material:
- **NI-GS:** AISI CF-8 stainless steel, sand-blasted finish.
  - **NI-SW:** AISI CF-8 stainless steel, epoxy resin coating, matte finish (only for A and B executions).
- Index for handle type:
- **1:** 90° opening.
  - **2:** 90° opening. With retaining spring.
  - **3:** 180° opening.
  - **4:** 180° opening. With retaining spring.

**5** FEATURES AND APPLICATIONS

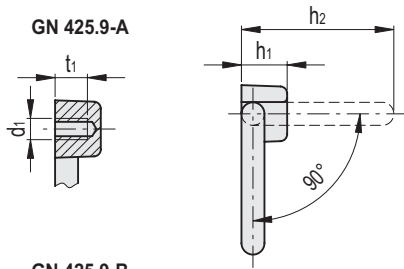
GN 425.9 folding handles are used where the handle must only protrude slightly in the rest position.

The executions 1 and 2 are suitable for side access, with a 90° limit stop.

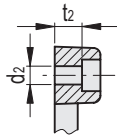
The retaining springs of the executions 2 and 4 keep the handle in any position, facilitating access, and prevent noisy oscillations in case of vibrations in the rest position.

All components are supplied unassembled.

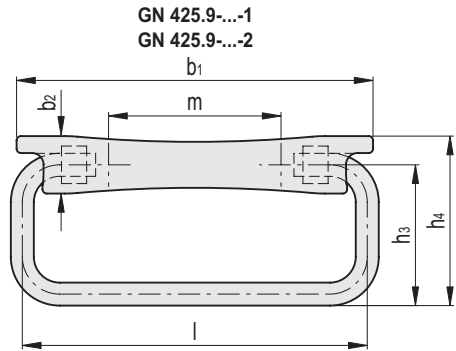
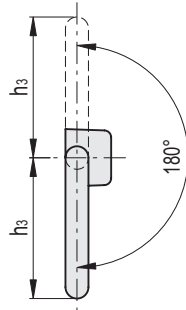
**6** FEATURES AND APPLICATIONS**7** FEATURES AND APPLICATIONS**8** FEATURES AND APPLICATIONS**9** FEATURES AND APPLICATIONS**10** FEATURES AND APPLICATIONS**11** FEATURES AND APPLICATIONS**12** FEATURES AND APPLICATIONS**13** FEATURES AND APPLICATIONS**14** FEATURES AND APPLICATIONS**15** FEATURES AND APPLICATIONS**16** FEATURES AND APPLICATIONS**17** FEATURES AND APPLICATIONS**18** FEATURES AND APPLICATIONS



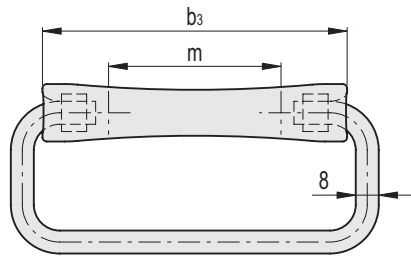
GN 425.9-B



GN 425.9-C



GN 425.9-...-3  
GN 425.9-...-4



Conversion Table	
1 mm = 0.039 inch	
mm	inch
120	4.74

GN 425.9-A

INOX STAINLESS STEEL METRIC

Code	Description	l	b1	b2	b3	d1	h1	h2	h3	h4	m	t1	⚖
GN.39251	GN 425.9-120-NI-A-1-GS	120	124	20	106	M6	16	53	49	59	60	10	264
GN.39253	GN 425.9-120-NI-A-1-SW	120	124	20	106	M6	16	53	49	59	60	10	264
GN.39255	GN 425.9-120-NI-A-2-GS	120	124	20	106	M6	16	53	49	59	60	10	265
GN.39257	GN 425.9-120-NI-A-2-SW	120	124	20	106	M6	16	53	49	59	60	10	265
GN.39259	GN 425.9-120-NI-A-3-GS	120	-	20	106	M6	16	53	49	59	60	10	259
GN.39261	GN 425.9-120-NI-A-3-SW	120	-	20	106	M6	16	53	49	59	60	10	259
GN.39263	GN 425.9-120-NI-A-4-GS	120	-	20	106	M6	16	53	49	59	60	10	260
GN.39265	GN 425.9-120-NI-A-4-SW	120	-	20	106	M6	16	53	49	59	60	10	260

GN 425.9-B

INOX STAINLESS STEEL METRIC

Code	Description	l	b1	b2	b3	d2	h1	h2	h3	h4	m	t2	⚖
GN.39267	GN 425.9-120-NI-B-1-GS	120	124	20	106	6.4	16	53	49	59	60	9.6	256
GN.39269	GN 425.9-120-NI-B-1-SW	120	124	20	106	6.4	16	53	49	59	60	9.6	256
GN.39271	GN 425.9-120-NI-B-2-GS	120	124	20	106	6.4	16	53	49	59	60	9.6	257
GN.39273	GN 425.9-120-NI-B-2-SW	120	124	20	106	6.4	16	53	49	59	60	9.6	257
GN.39275	GN 425.9-120-NI-B-3-GS	120	-	20	106	6.4	16	53	49	59	60	9.6	246
GN.39277	GN 425.9-120-NI-B-3-SW	120	-	20	106	6.4	16	53	49	59	60	9.6	246
GN.39279	GN 425.9-120-NI-B-4-GS	120	-	20	106	6.4	16	53	49	59	60	9.6	247
GN.39281	GN 425.9-120-NI-B-4-SW	120	-	20	106	6.4	16	53	49	59	60	9.6	247

GN 425.9-C

INOX STAINLESS STEEL METRIC

Code	Description	l	b1	b2	b3	h1	h2	h3	h4	⚖
GN.39283	GN 425.9-120-NI-C-1-GS	120	124	20	106	16	53	49	59	269
GN.39285	GN 425.9-120-NI-C-2-GS	120	124	20	106	16	53	49	59	270
GN.39287	GN 425.9-120-NI-C-3-GS	120	-	20	106	16	53	49	59	264
GN.39289	GN 425.9-120-NI-C-4-GS	120	-	20	106	16	53	49	59	265



Lift & Pull handles